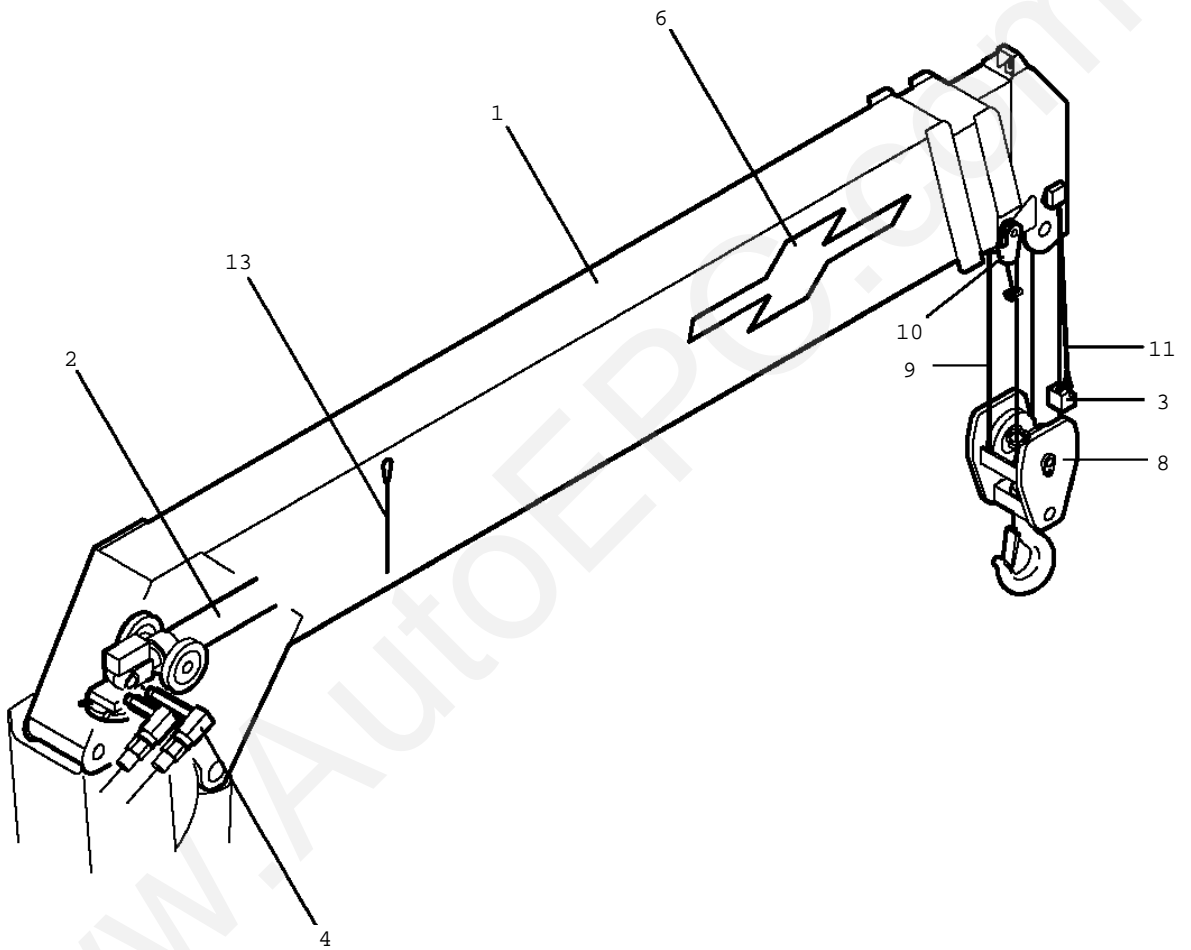


TM-ZF290 31113020030 BOOM/4 SECT.

PZ1000582-00 BOOM SYSTEM
ASSEMBLY

www.AutoEPC.com

TM-ZF290 31113020030 BOOM/4 SECT.
PZ1000582-00 BOOM SYSTEM



TM-ZF290 31113020030 BOOM/4 SECT.

Pos No.	Parts No	Parts Name	Qty	Unit	Technical Data	Seri
1	(*****)	BOOM	1			
2	(*****)	CYLINDER,TELESCOPING	1			
3	(*****)	DETECTOR,OVER WINDING	1			
4	(*****)	PIPING,TELESCOPING	1			
6	(*****)	PLATE ASSY,NAME (ZF300J)	1			
	(*****)	PLATE ASSY,NAME (ZF290/ENGLISH)	1			
	(*****)	PLATE ASSY,NAME (ZF290/JAPANESE)	1			
8	36093830000	HOOK (SHEAVE 2PC'S)	1			
9	37001803260	ROPE,WIRE (KISWIRE)	1			
10	(*****)	SOCKET,ROPE	1			
11	37001908920	DETECTOR,OVER WINDING (ROPE)	1			
13	(*****)	INDICATOR,LOAD (CRAWLER CARRIER)	1			

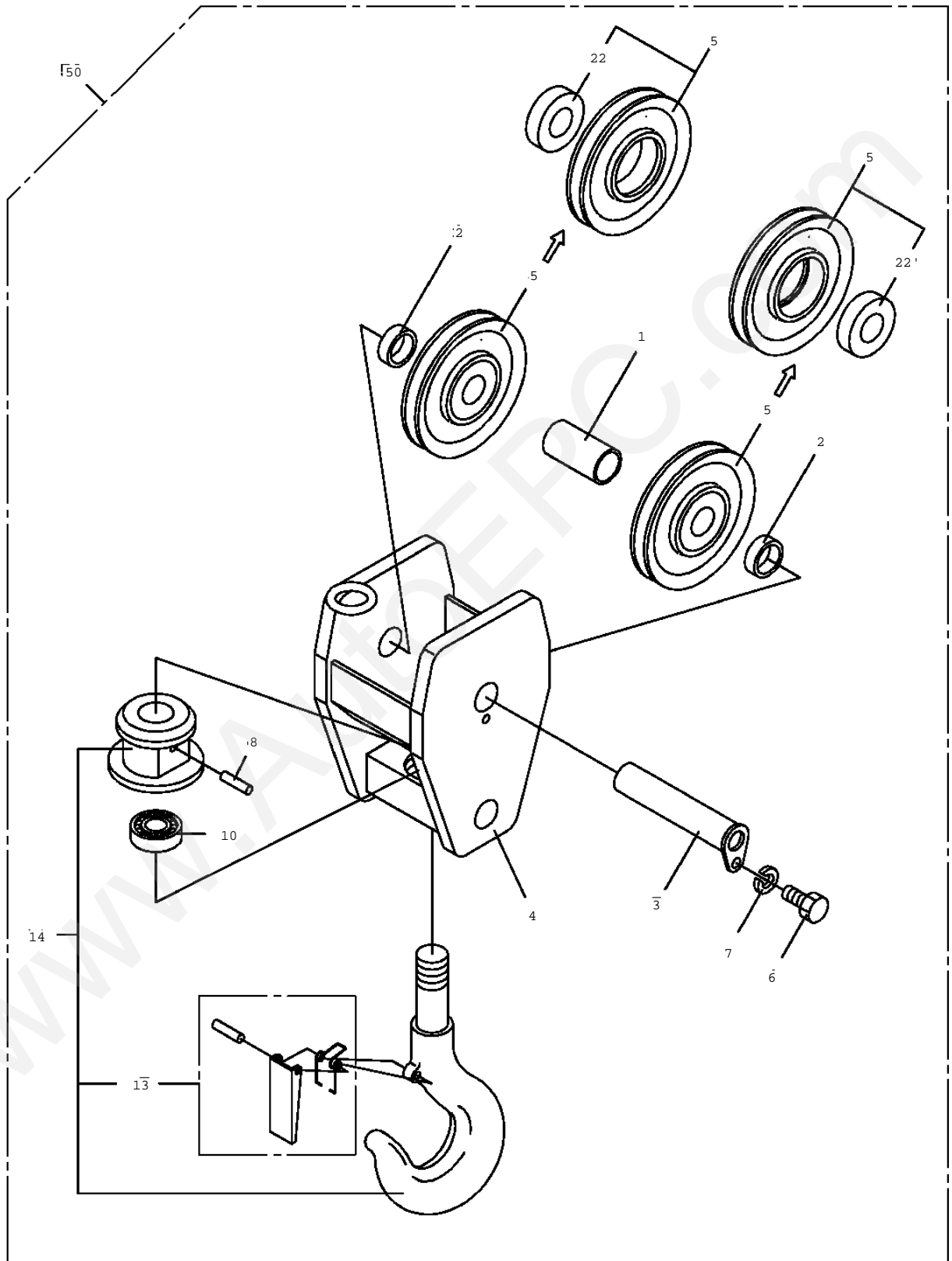
www.AutoEPC.com

TM-ZF290 31113020030 BOOM/4 SECT.

PF1050206-01 HOOK (SHEAVE 2PC'S)
PF1070033-00 ROPE,WIRE (KISWIRE)
PF1090022-01 SOCKET,ROPE
PG1010412-04 BOOM
PG1050223-04 CYLINDER,TELESCOPING
PG1050549-01 CYLINDER,TELESCOPING (NO.1)
PG1050550-00 CYLINDER,TELESCOPING (NO.2)
PG1200103-01 PIPING,TELESCOPING
PH1060213-01 DETECTOR,OVER WINDING (ROPE)
PH1060247-01 DETECTOR,OVER WINDING
PH1270015-00 INDICATOR,LOAD (CRAWLER CARRIER)
PI1140201-00 VALVE,CHECK
PI1140202-00 VALVE,CHECK
PI1250080-00 VALVE,COUNTERBALANCE
PN1350003-00 REEL,CORD
PN1350041-00 REEL,CORD
PO1011891-00 PLATE ASSY,NAME (ZF290/JAPANESE)
PO1011914-00 PLATE ASSY,NAME (ZF290/ENGLISH)
PO1011998-01 PLATE ASSY,NAME (ZF300J)

www.AutoEPC.com

TM-ZF290 31113020030 BOOM/4 SECT.
PF1050206-01 HOOK (SHEAVE 2PC'S)



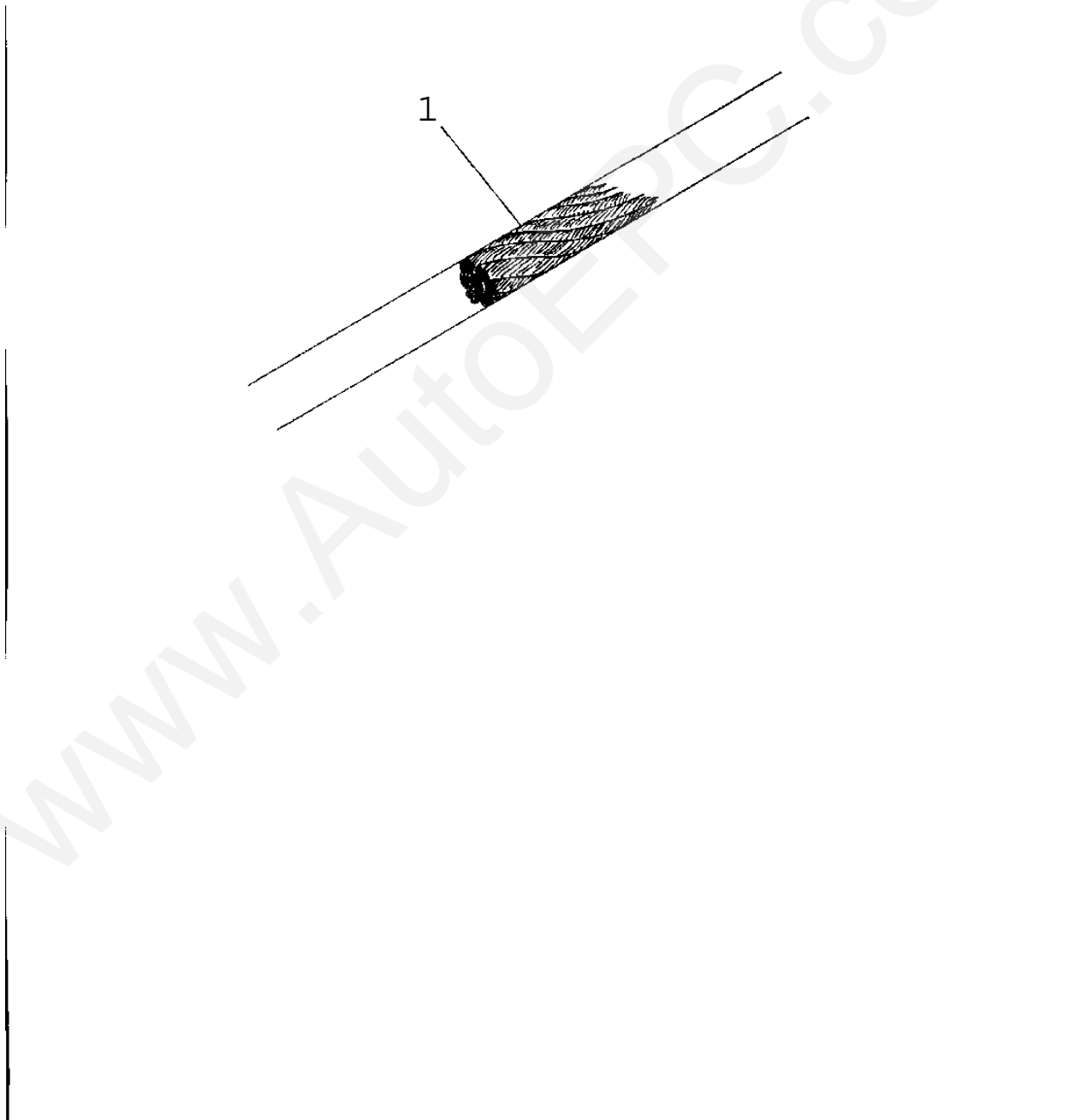
TM-ZF290 31113020030 BOOM/4 SECT.

Pos No.	Parts No	Parts Name	Qty	Unit	Technical Data	Serial No (Start)
1	37000301620	SPACER	1			
2	11421507000	SPACER	2			
	37000308850	SPACER	2		L=8.5	049316
3	37000134360	PIN	1			
4	36093831000	BODY	1			
5	37001004350	SHEAVE ASSY	2			
	37001007050	SHEAVE	2			049316
6	90101210016	BOLT	1		M10X16	
7	90302041001	WASHER, SPRING	1		10	
8	80720105050	PIN, SPRING	1		5X50	
	80720105056	PIN, SPRING	1		5X56	048774
10	80500051207	BEARING, BALL	1			
13	36090299510	STOPPER ASSY	1			
14	36093349510	HOOK ASSY	1			
50	36093830000	HOOK (SHEAVE 2PC'S)	1			

www.AutoEPC.com

TM-ZF290 31113020030 BOOM/4 SECT.
PF1070033-00 ROPE,WIRE (KISWIRE)

REF ID: A11111

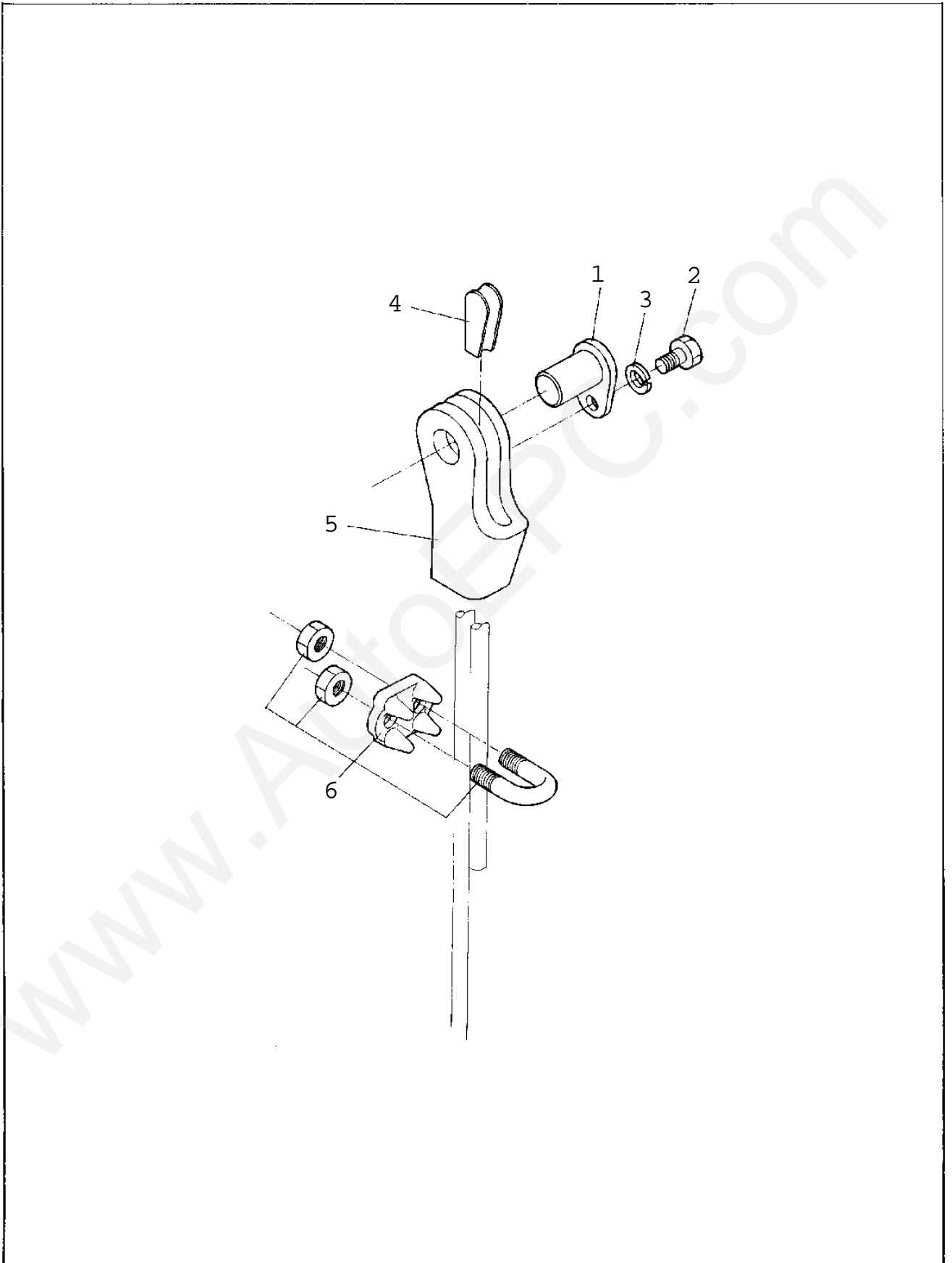


TM-ZF290 31113020030 BOOM/4 SECT.

Pos No.	Parts No	Parts Name	Qty	Unit	Technical Data	Serial No (Start)
1	37001803260	ROPE,WIRE (KISWIRE)	1			

www.AutoEPC.com

TM-ZF290 31113020030 BOOM/4 SECT.
PF1090022-01 SOCKET,ROPE

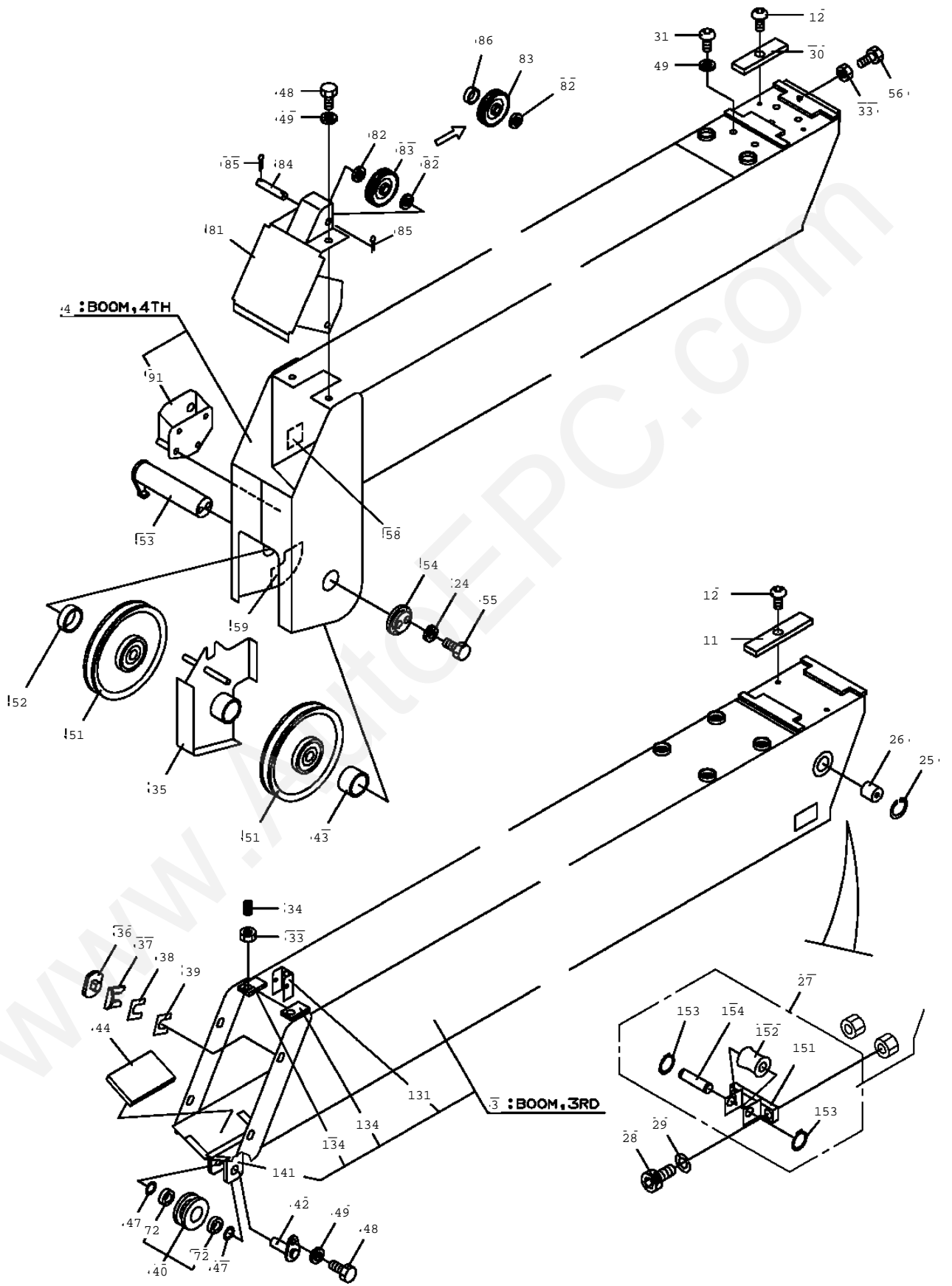


TM-ZF290 31113020030 BOOM/4 SECT.

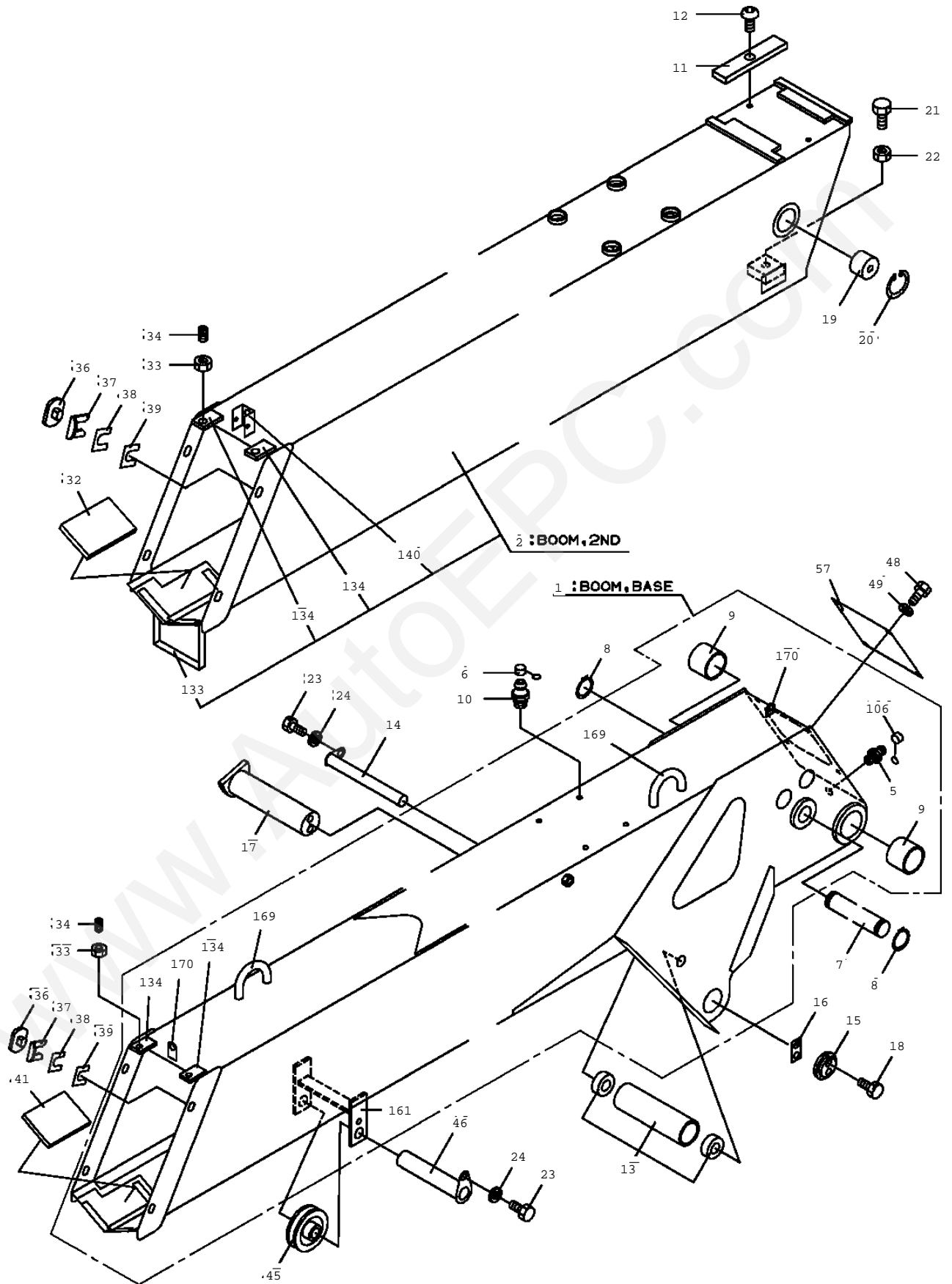
Pos No.	Parts No	Parts Name	Qty	Unit	Technical Data	Serial No (Start)	Serial
1	37000105061	PIN	1				
2	90101208014	BOLT	1		M8X14		
3	90302040801	WASHER, SPRING	1		8		
4	37002600190	WEDGE	1		8		
5	37002600100	SOCKET, ROPE	1		8&9		
6	83151410802	CLIP	1				

www.AutoEPC.com

TM-ZF290 31113020030 BOOM/4 SECT.
PG1010412-04 BOOM



TM-ZF290 31113020030 BOOM/4 SECT.
PG1010412-04 BOOM



TM-ZF290 31113020030 BOOM/4 SECT.

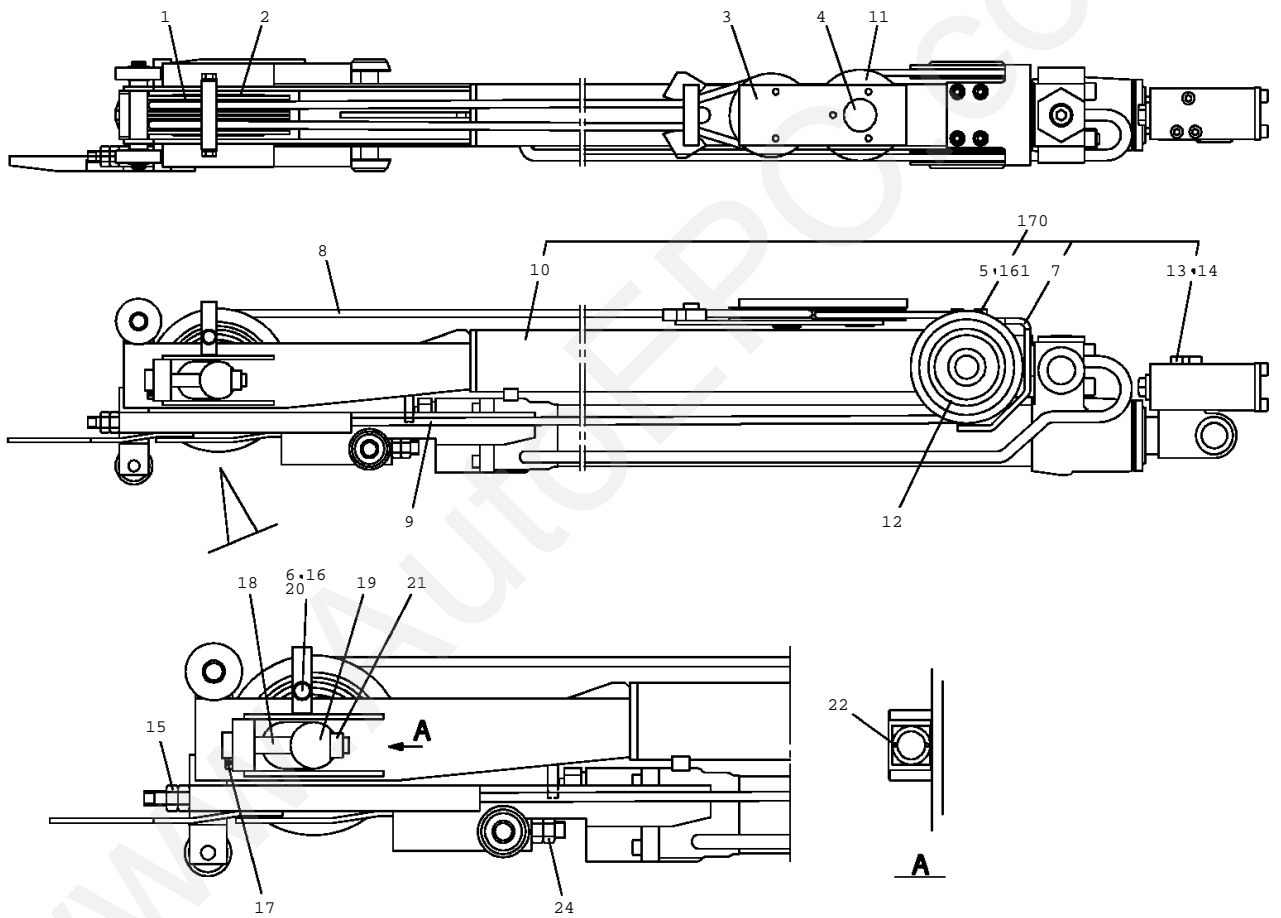
Pos No.	Parts No	Parts Name	Qty	Unit	Technical Data	Serial No (Start)
1	31201719510	BOOM,BASE	1			
2	31201712000	BOOM,2ND	1			
3	31201713000	BOOM,3RD	1			
4	31201714000	BOOM, TOP	1			
5	82456101000	NIPPLE,GREASE	1		A-PT1/8	
6	82400000459	CAP	4			
7	37000137900	PIN	1			
8	80601110250	RING,RITAINING	2		S25	
9	37000403070	BEARING,PLAIN	2			
10	82455106000	NIPPLE,GREASE	4		A-M6F FE	
11	37002007410	PLATE,SLIDE	4			
12	90180206010	BOLT,BUTTON	6		M6X10	
13	37001106930	ROLLER ASSY	1			
14	37000123960	PIN	1			
15	31230592000	COVER	1			
16	37000539450	PLATE	1			
17	37000203060	PIN	1			
18	90101210016	BOLT	2		M10X16	
19	37000146990	PIN	2			
20	80602110300	RING,RITAINING	2		R30	
21	90101212030	BOLT	1		M12X30	
22	90203201200	NUT	1		M12	
23	90101210012	BOLT	2		M10X12	
24	90302041001	WASHER,SPRING	4		10	
25	80602110250	RING,RITAINING	2		R25	
26	37000138380	PIN	2			
27	31200604100	SUPPORT (WITH ROLLER)	1			
28	90131910020	BOLT,HEXAGON SOCKET	2		M10X20	
29	90302401001	WASHER,SPRING	2		10	
30	37002008680	PLATE,SLIDE	2			
31	90180208012	BOLT,BUTTON	5		M8X12	
32	37002004930	PLATE,SLIDE	2			
33	90201201000	NUT	8		M10	
34	90710710350	SCREW,SET	6		M10X35	
35	31201530100	SPACER	1			
36	31200894100	PLATE,SLIDE	12			
	31201770100	PLATE,SLIDE	12		T=3.0	048720
37	31201580100	SHIM (FOR FIXED)	12			
38	31200713400	SHIM	6		T=0.6	
39	32200353500	SHIM	9		T=1.2	
40	37001107720	ROLLER ASSY	1			
41	37002004950	PLATE,SLIDE	2			
42	37000160580	PIN	1			
43	12441057000	SPACER	1			
44	37002005700	PLATE,SLIDE	2			
45	37001007020	SHEAVE	1			
	37001007770	SHEAVE	1			052407
46	37000109780	PIN	1			
47	37000538730	PLATE	2			
48	90101208012	BOLT	7		M8X12	
49	90302040801	WASHER,SPRING	12		8	
51	37001007050	SHEAVE	2			
52	37000303960	SPACER	1		L=13.5	
53	31200616300	PIN	1			
54	31200584000	COVER	1			
55	90191210020	BOLT	2		M10X20	
56	90101210030	BOLT	2		M10X30	
57	31201710600	COVER	1			
58	37002213970	PLATE,NAME (MARKING)	1			
59	37002213980	PLATE,NAME	1			
72	80516006902	BEARING,BALL	2			
	31205310210	BEARING,BALL (IP)	2			DE1549
81	31201710510	COVER	1			
82	90303071201	WASHER,PLAIN	2		12	
	90303071201	WASHER,PLAIN	1		12	053887
83	37001107620	ROLLER	1			
84	37000104920	PIN	1			
	37000170840	PIN	1			054681
	37000172930	PIN	1			DA1702
85	80136332020	PIN,SPLIT	2		3.2X20	
	80136332020	PIN,SPLIT	1		3.2X20	DA1702
86	37000306130	SPACER	1		L=8	053887
91	31201584200	SUPPORT	1			
106	82400000459	CAP	1			

TM-ZF290 31113020030 BOOM/4 SECT.

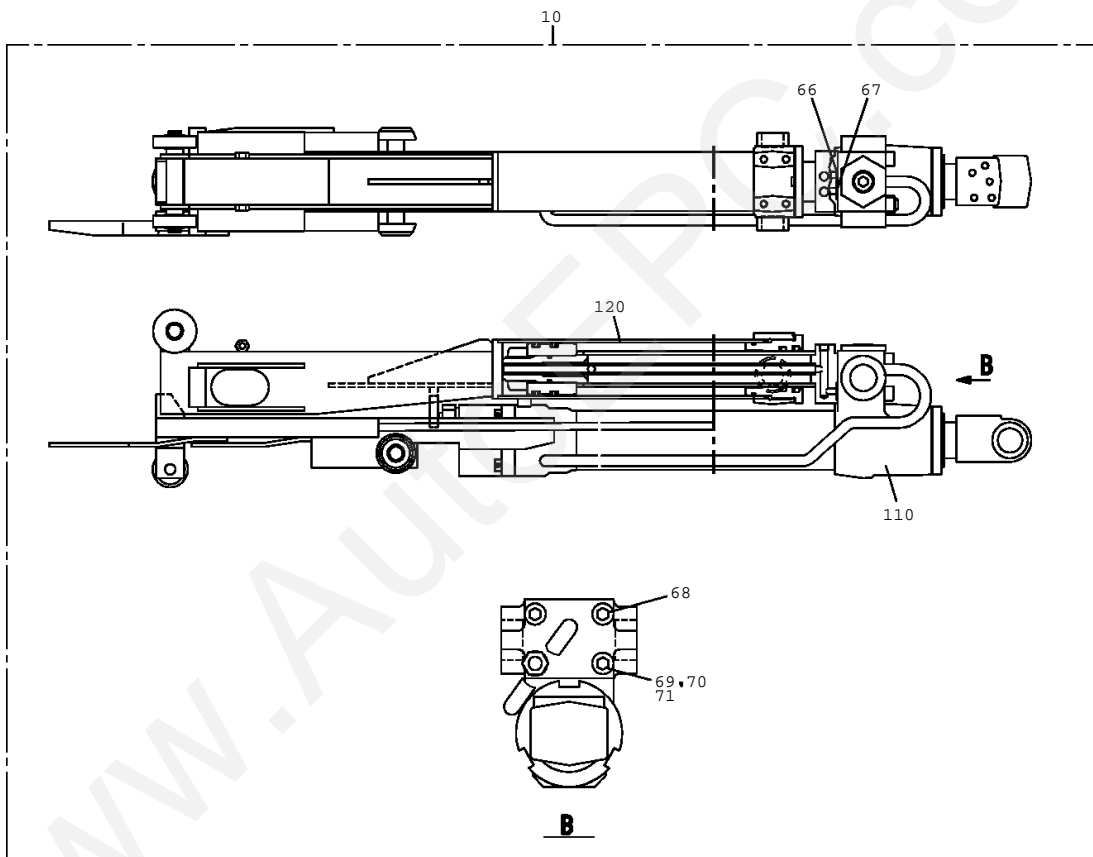
Pos No.	Parts No	Parts Name	Qty	Unit	Technical Data	Serial No (Start)
131	31201713180	SUPPORT	1			
133	31201712130	GUIDE	1			
134	31200581400	SUPPORT	6			
140	31201572210	SUPPORT	1			
141	31203149520	SUPPORT ASSY	1			
151	31200604200	SUPPORT	1			
152	37001101900	ROLLER	1			
153	80601110120	RING,RITAINING	2		S12	
154	37000134160	PIN	1			
161	31201718030	SUPPORT ASSY	1			
169	31201571100	SUPPORT	2			
170	31200791030	PLATE	2			

www.AutoEPC.com

TM-ZF290 31113020030 BOOM/4 SECT.
PG1050223-04 CYLINDER,TELESCOPING



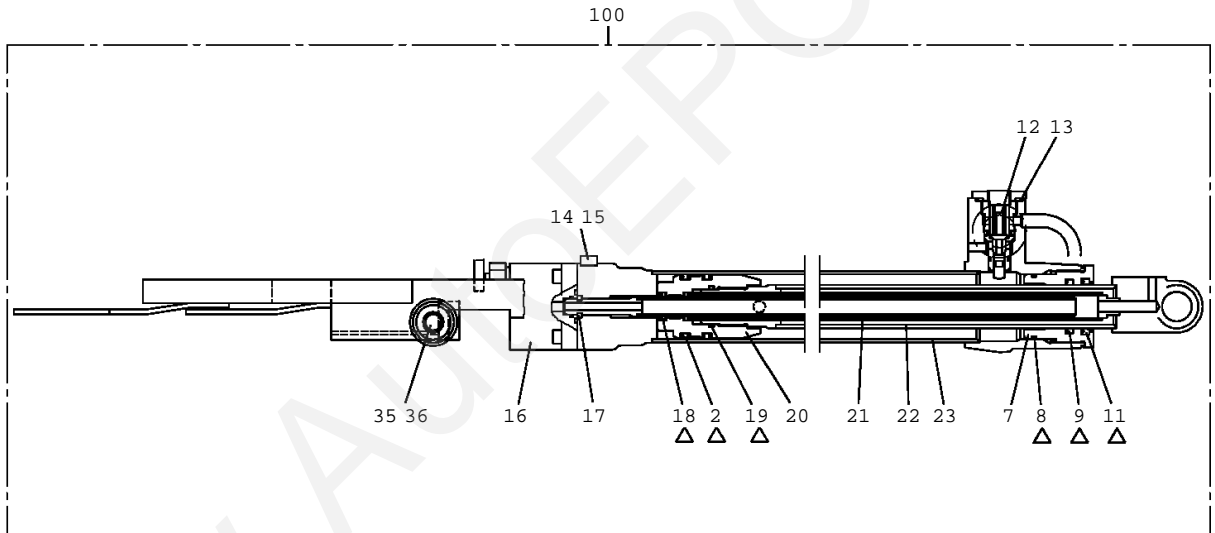
TM-ZF290 31113020030 BOOM/4 SECT.
PG1050223-04 CYLINDER,TELESCOPING



TM-ZF290 31113020030 BOOM/4 SECT.

Pos No.	Parts No	Parts Name	Qty	Unit	Technical Data	Serial N
1	37001007300	SHEAVE ASSY	2			
2	37000302640	SPACER	2		L=6	
3	31211040100	SUPPORT	1			
4	37000203130	PIN	1			
5	90131508014	BOLT,HEXAGON SOCKET	4		M8X14	
6	90302040801	WASHER,SPRING	2		8	
7	31211040200	SUPPORT	1			
8	37001910590	ROPE,WIRE (KOKOKU)	1			
	37001912300	ROPE,WIRE (TESAC)	1			
	37001922330	ROPE,WIRE (KISWIRE)	1		8X5.17M	DB0176
9	37001912210	ROPE,WIRE (TESAC)	1			
	37001910500	ROPE,WIRE (KOKOKU)	1			
10	36014560000	CYLINDER,TELESCOPING	1			
11	31211040300	SHEAVE	1			
12	37001007320	SHEAVE ASSY	2			
13	36604280000	VALVE,COUNTERBALANCE	1			
14	90131708060	BOLT,HEXAGON SOCKET	3		M8X60	
15	90202201200	NUT	4		M12	
16	31211040400	SUPPORT	1			
17	90172106016	BOLT,HEXAGON SOCKET	2		M6X16	
18	37001506620	BOLT	2			
19	37000203140	PIN	1			
20	90101208012	BOLT	2		M8X12	
21	90253401400	NUT	2			
22	80720102020	PIN,SPRING	2			
24	90265201400	NUT	4		M14	
66	91001101000	O-RING	1		1A P10	
67	91001101400	O-RING	1		1A P14	
68	90131912065	BOLT,HEXAGON SOCKET	3		M12X65	
69	90201701200	NUT	1		M12	
70	90141312070	BOLT,STUD	1			
71	90302041201	WASHER,SPRING	1		12	
110	36014569510	CYLINDER,TELESCOPING (NO.1)	1			
120	36014569520	CYLINDER,TELESCOPING (NO.2)	1			
161	90302040801	WASHER,SPRING	4		8	
170	31211048010	CYLINDER,TELESCOPING (WITH CV)	1			

TM-ZF290 31113020030 BOOM/4 SECT.
PG1050549-01 CYLINDER,TELESCOPING (NO.1)



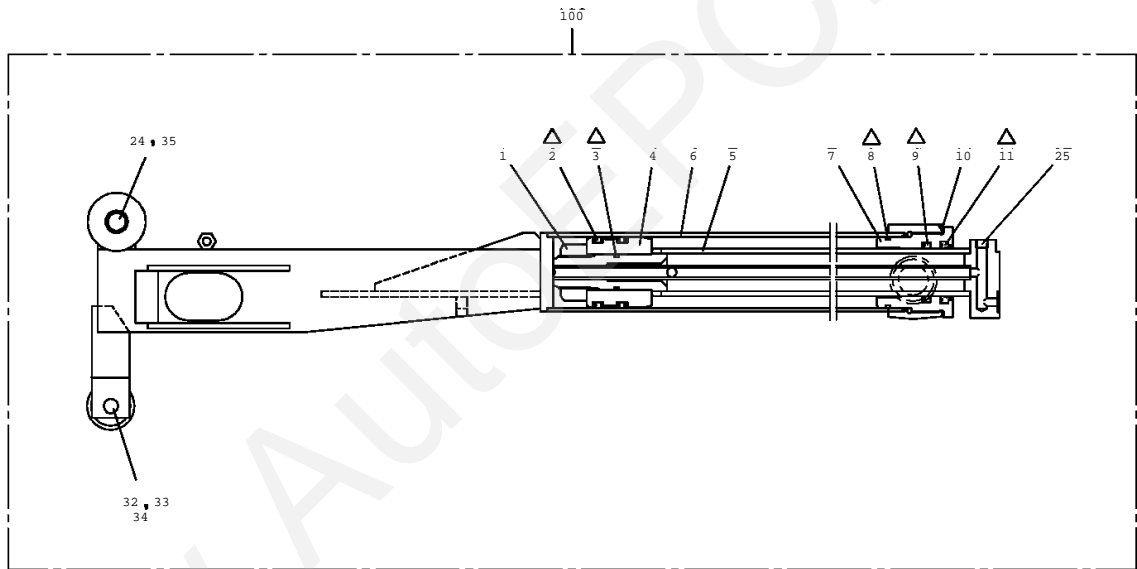
Δ:PACKING SET KEY NO.50 (KEY NO.2,8,9,11,18,19)

TM-ZF290 31113020030 BOOM/4 SECT.

Pos No.	Parts No	Parts Name	Qty	Unit	Technical Data	Serial
2	91350206000	BEARING,PLAIN (WITH PACKINGX2)	1			
7	36014565000	COVER,ROD	1			
8	91002905500	O-RING	1		1B G55	
9	91694004000	PACKING	1			
11	91660004001	SEAL,DUST	1			
12	(*****)	VALVE,CHECK	1			
13	91001103800	O-RING	1		1A P38	
14	37002008830	PLATE,SLIDE	1			
15	80171304012	SCREW,MACHINE	2		M4X12	
16	(*****)	VALVE,CHECK	1			
17	36010060340	STOPPER	2			
18	37000402120	BEARING,PLAIN (WITH PACKINGX2)	1			
19	91002803200	O-RING	1		1B P32	
20	36014564000	PISTON	1			
21	36010340400	PIPE	1			
	36014560100	PIPE	1		L=2175	DA0882
22	36010340500	ROD	1			
23	36014561000	CYLINDER	1			
35	80601110150	RING,RITAINING	2		15	
36	37001103490	ROLLER ASSY	2			
50	36014569900	PACKING SET	1		40X60	
100	36014569510	CYLINDER,TELESCOPING (NO.1)	1			

www.AutoEPC.com

TM-ZF290 31113020030 BOOM/4 SECT.
PG1050550-00 CYLINDER,TELESCOPING (NO.2)



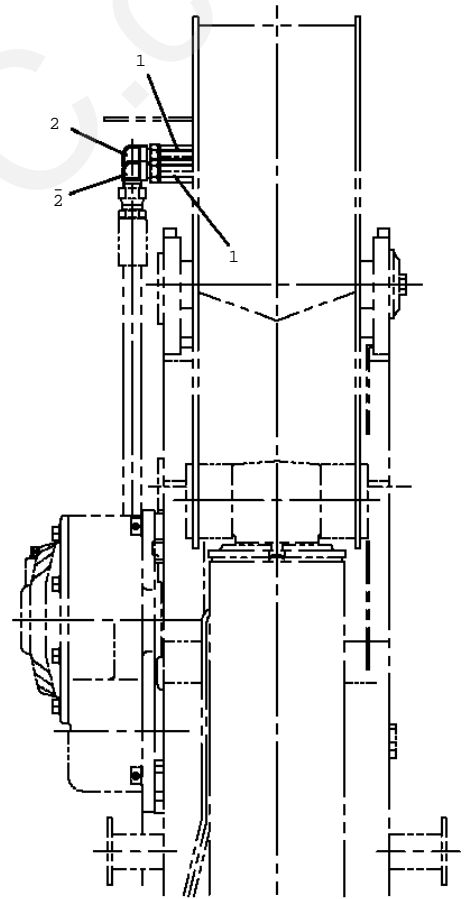
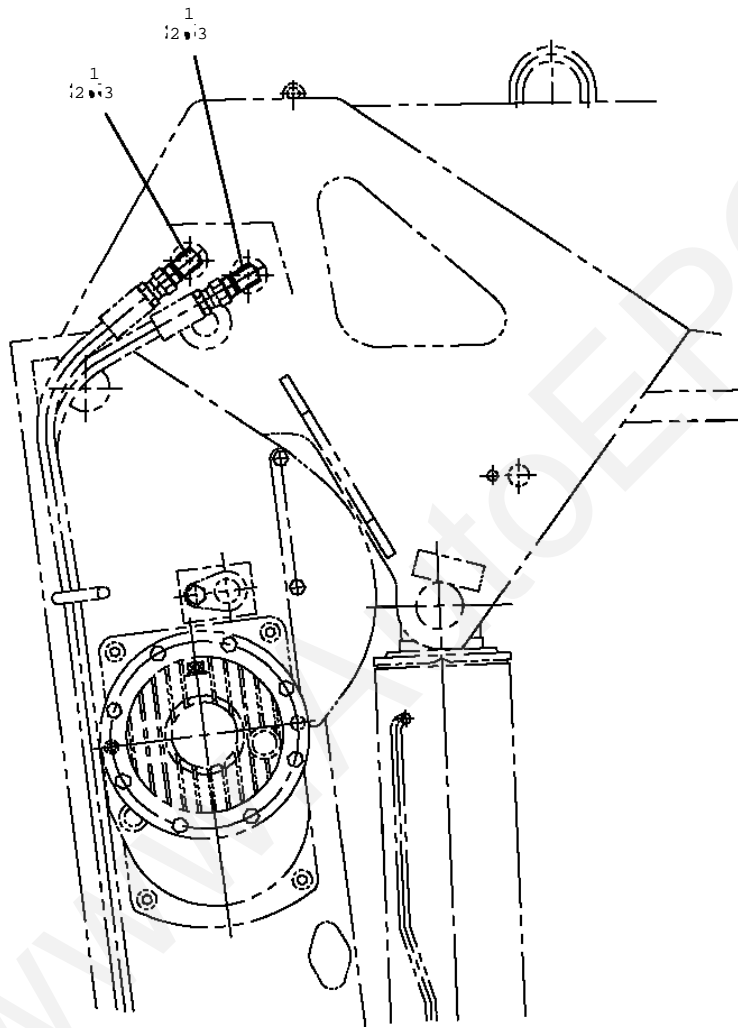
△:PACKING SET KEY NO.[50] (KEY NO.2,3,8,9,11)

TM-ZF290 31113020030 BOOM/4 SECT.

Pos No.	Parts No	Parts Name	Qty	Unit	Technical Data	Serial N
1	90209202700	NUT	1		M27X2	
2	91350206000	BEARING,PLAIN (WITH PACKINGX2)	1			
3	91002902500	O-RING	1		1B G25	
4	36013823000	PISTON	1			
5	36014563000	ROD	1			
6	36014562000	CYLINDER	1			
7	36014565000	COVER,ROD	1			
8	91002905500	O-RING	1		1B G55	
9	91694004000	PACKING	1			
10	37000540820	PLATE	1			
11	91660004001	SEAL,DUST	1			
24	80530000225	BEARING,BALL (KOYO)	2			
25	80316030020	PLUG	2		PT1/8	
32	80601110120	RING,RITAINING	2		S12	
33	37001104660	ROLLER	1			
34	37000134680	PIN	1			
35	80601110150	RING,RITAINING	2		15	
50	36014569910	PACKING SET	1			
100	36014569520	CYLINDER,TELESCOPING (NO.2)	1			

www.AutoEPC.com

TM-ZF290 31113020030 BOOM/4 SECT.
PG1200103-01 PIPING, TELESCOPING

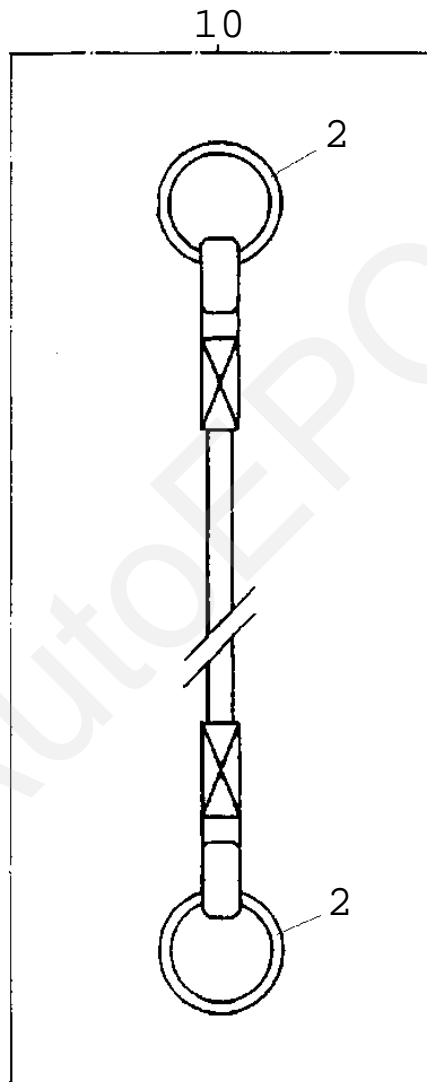


TM-ZF290 31113020030 BOOM/4 SECT.

Pos No.	Parts No	Parts Name	Qty	Unit	Technical Data	Serial No (Start)	Serial No
1	37000924590	JOINT	2		S G1/4-G1/4		
2	80481102030	JOINT	2		L G1/4-G3/8		
3	91002801100	O-RING	4		1B P11		

www.AutoEPC.com

TM-ZF290 31113020030 BOOM/4 SECT.
PH1060213-01 DETECTOR, OVER WINDING (ROPE)

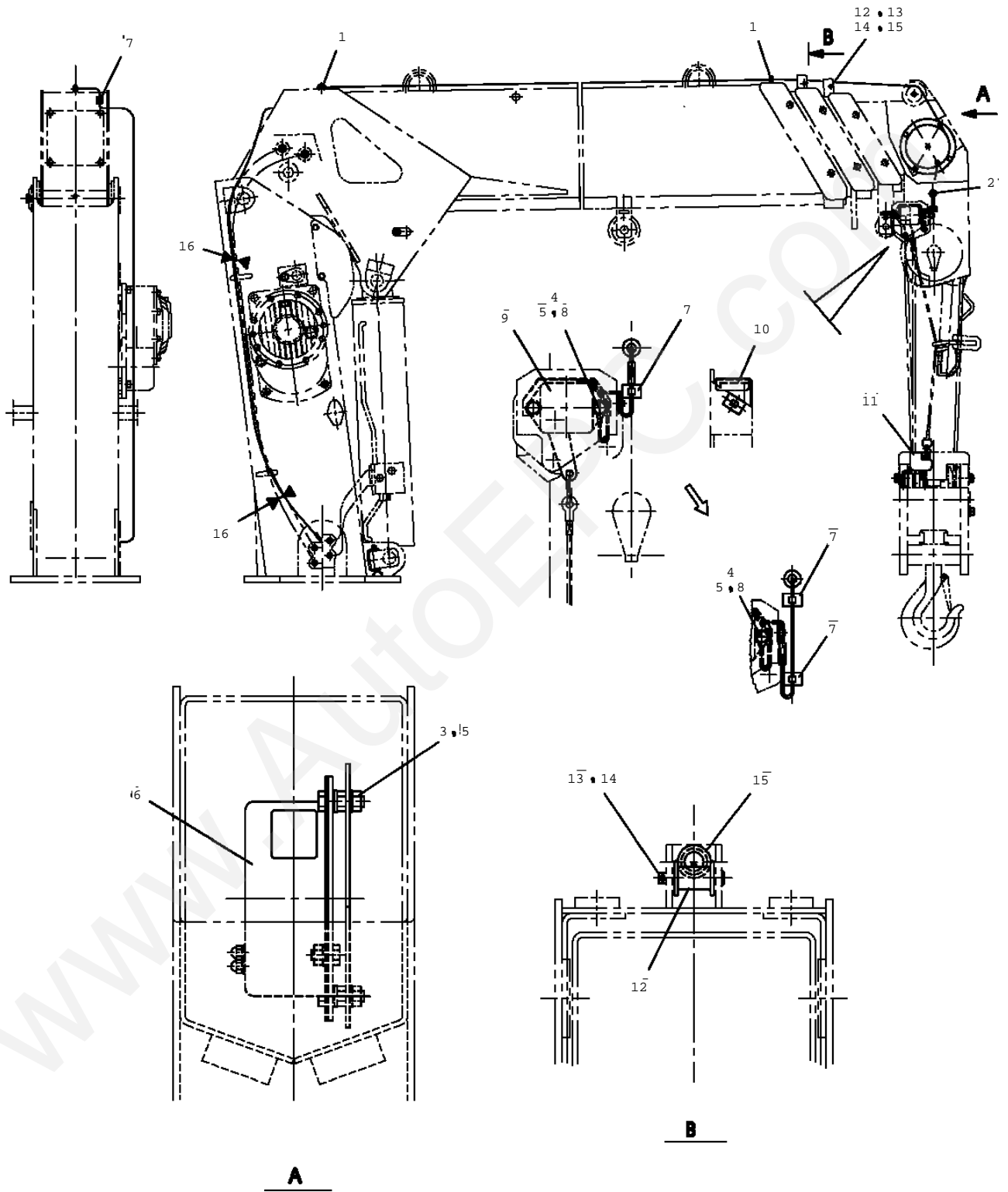


TM-ZF290 31113020030 BOOM/4 SECT.

Pos No.	Parts No	Parts Name	Qty	Unit	Technical Data	Serial No
2	31371187520	RING	2			
10	37001908920	DETECTOR, OVER WINDING (ROPE)	1			

www.AutoEPC.com

TM-ZF290 31113020030 BOOM/4 SECT.
PH1060247-01 DETECTOR, OVER WINDING

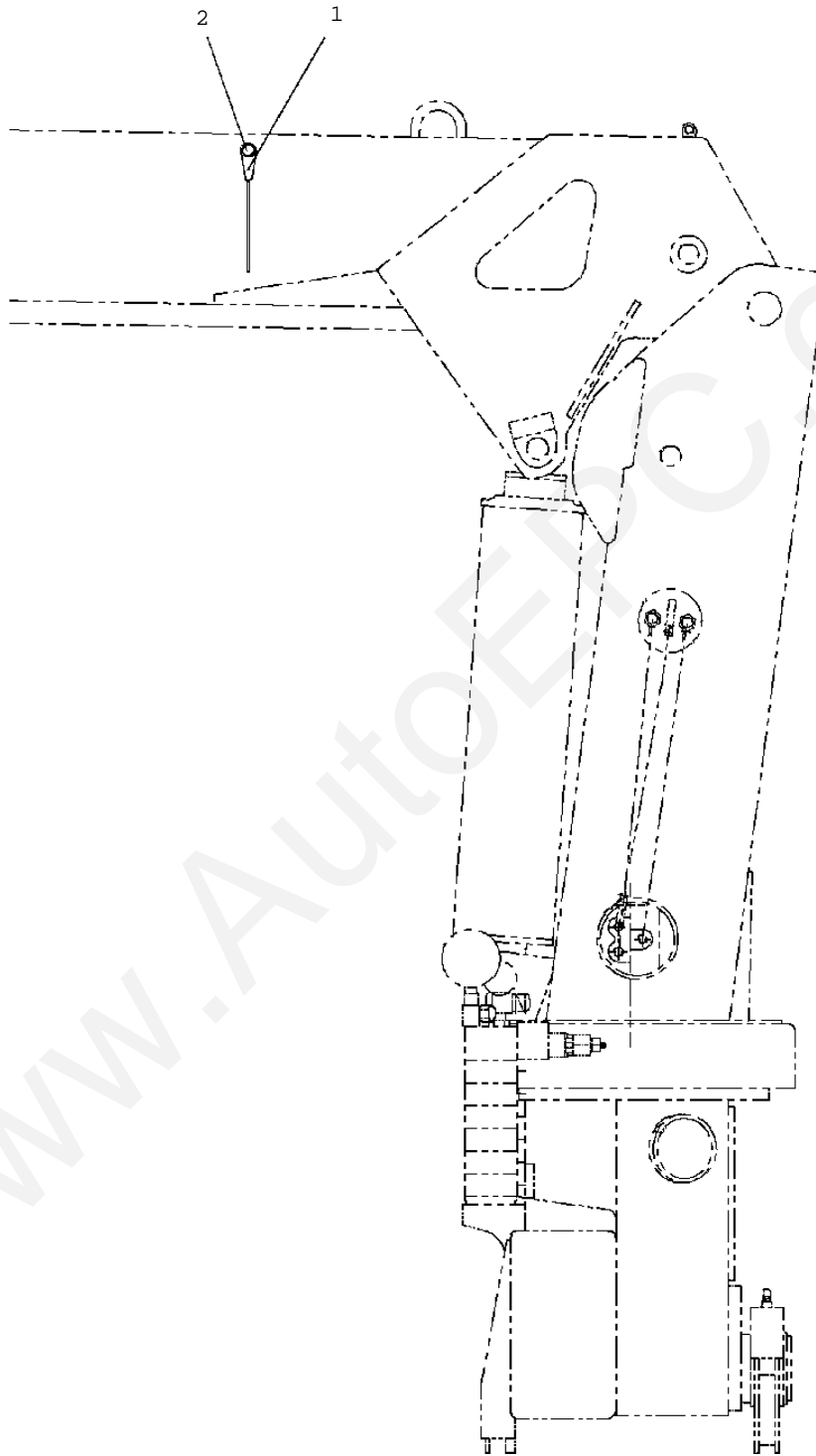


TM-ZF290 31113020030 BOOM/4 SECT.

Pos No.	Parts No	Parts Name	Qty	Unit	Technical Data	Serial No (Start)	Serial
1	82400000074	GROMMET	2				
2	14148375000	GROMMET	1				
3	90201200600	NUT	2		M6		
4	90303070601	WASHER, PLAIN	2		6		
5	90302040601	WASHER, SPRING	4		6		
6	36160330000	REEL, CORD	1				054746
	36160330001	REEL, CORD	1			054747	
7	82401600504	CLAMP	3				052299
	82401600504	CLAMP	4			052300	
8	80182306014	SCREW, MACHINE	2		M6X14		
9	31371282000	SWITCH ASSY	1				
10	31371283000	SUPPORT	1				
11	31371332000	WEIGHT ASSY	1				
12	31371210110	ROLLER	2				
13	37000122350	PIN	2				
14	80136320016	PIN, SPLIT	2		2X16		
15	82400000216	GROMMET	2		C30NG79-H		
16	91810130230	FASTENER	4				

www.AutoEPC.com

TM-ZF290 31113020030 BOOM/4 SECT.
PH1270015-00 INDICATOR,LOAD (CRAWLER CARRIER)

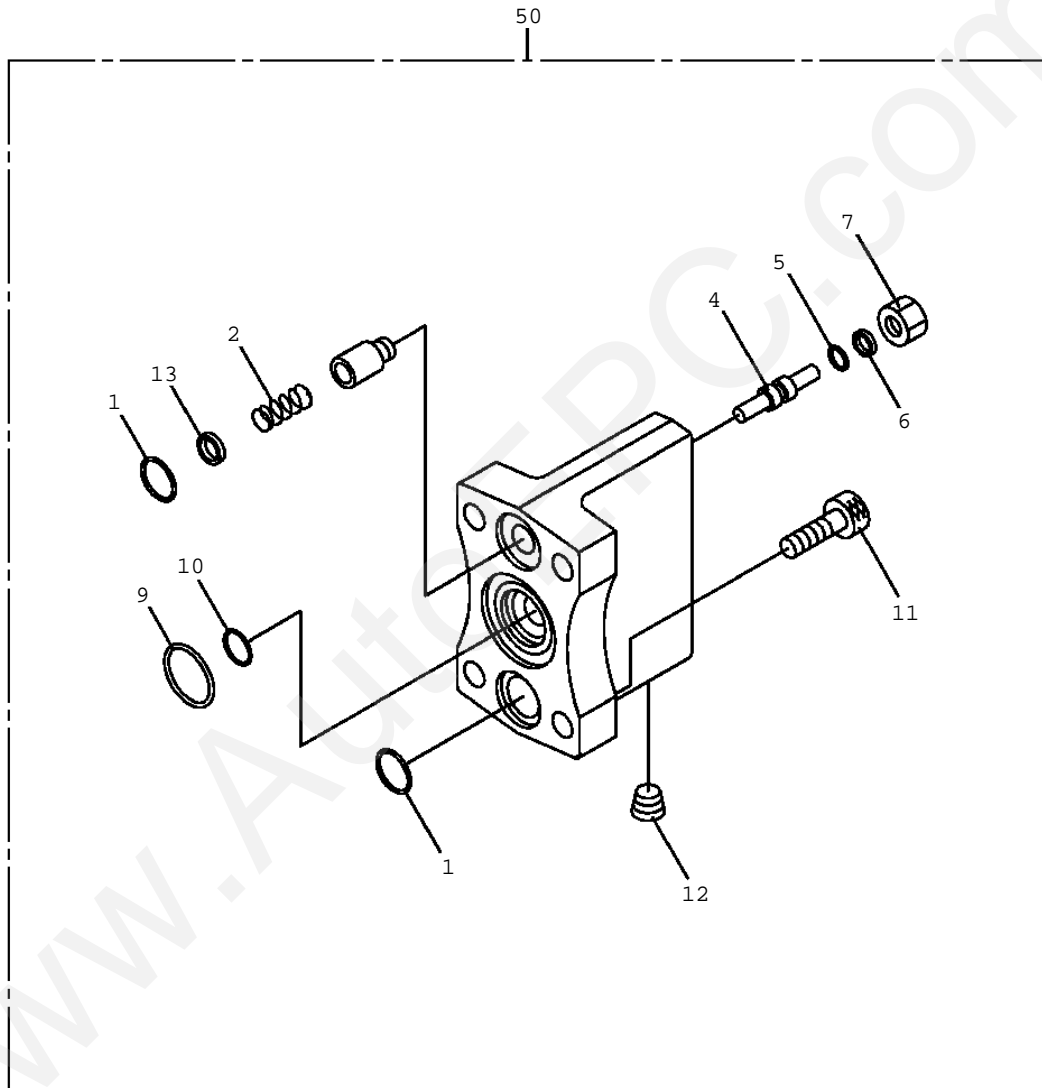


TM-ZF290 31113020030 BOOM/4 SECT.

Pos No.	Parts No	Parts Name	Qty	Unit	Technical Data	Serial No (Start)	Serial No
1	31390040010	INDICATOR	2				
2	90190000060	BOLT	2		M10X16		

www.AutoEPC.com

TM-ZF290 31113020030 BOOM/4 SECT.
PI1140201-00 VALVE,CHECK

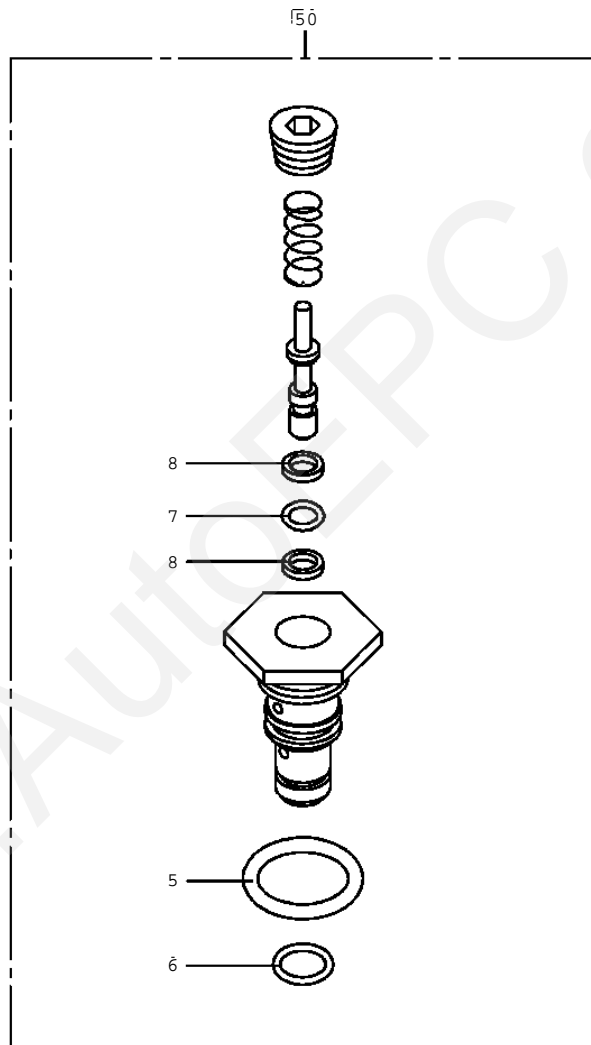


TM-ZF290 31113020030 BOOM/4 SECT.

Pos No.	Parts No	Parts Name	Qty	Unit	Technical Data	Serial No (Start)
1	91001101400	O-RING	2		1A P14	
2	37001201560	SPRING	1			
4	36622730200	ROD	1			
5	91001100600	O-RING	1		1A P6	
6	91411000600	RING, BACKUP	1		P6	
7	36622730400	CAP	1			
9	91001202500	O-RING	1		1A G25	
10	91002801500	O-RING	1		1B P15	
11	90131708025	BOLT, HEXAGON SOCKET	4		M8X25	
12	80316090020	PLUG	1		KKT PT1/8	
13	36622730500	SPACER	1		L=5	
50	36622730000	VALVE, CHECK	1			

www.AutoEPC.com

TM-ZF290 31113020030 BOOM/4 SECT.
PI1140202-00 VALVE,CHECK

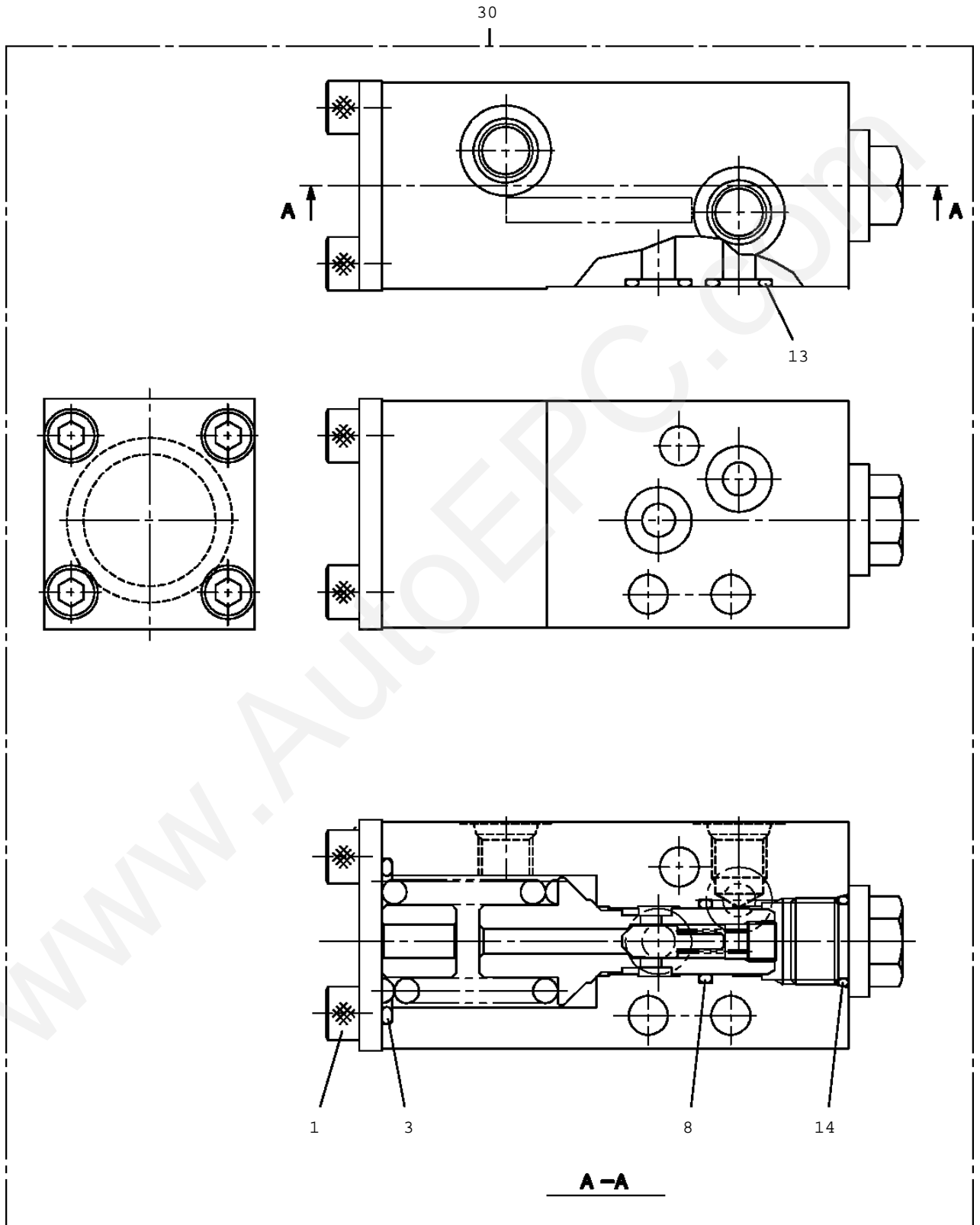


TM-ZF290 31113020030 BOOM/4 SECT.

Pos No.	Parts No	Parts Name	Qty	Unit	Technical Data	Serial No (Start)	Serial N
5	91002802201	O-RING	1		1B P22A		
6	91002801600	O-RING	1		1B P16		
7	91001100700	O-RING	1		1A P7		
8	91411000700	RING, BACKUP	2		P7		
50	36012150700	VALVE, CHECK	1				

www.AutoEPC.com

TM-ZF290 31113020030 BOOM/4 SECT.
PI1250080-00 VALVE,COUNTERBALANCE



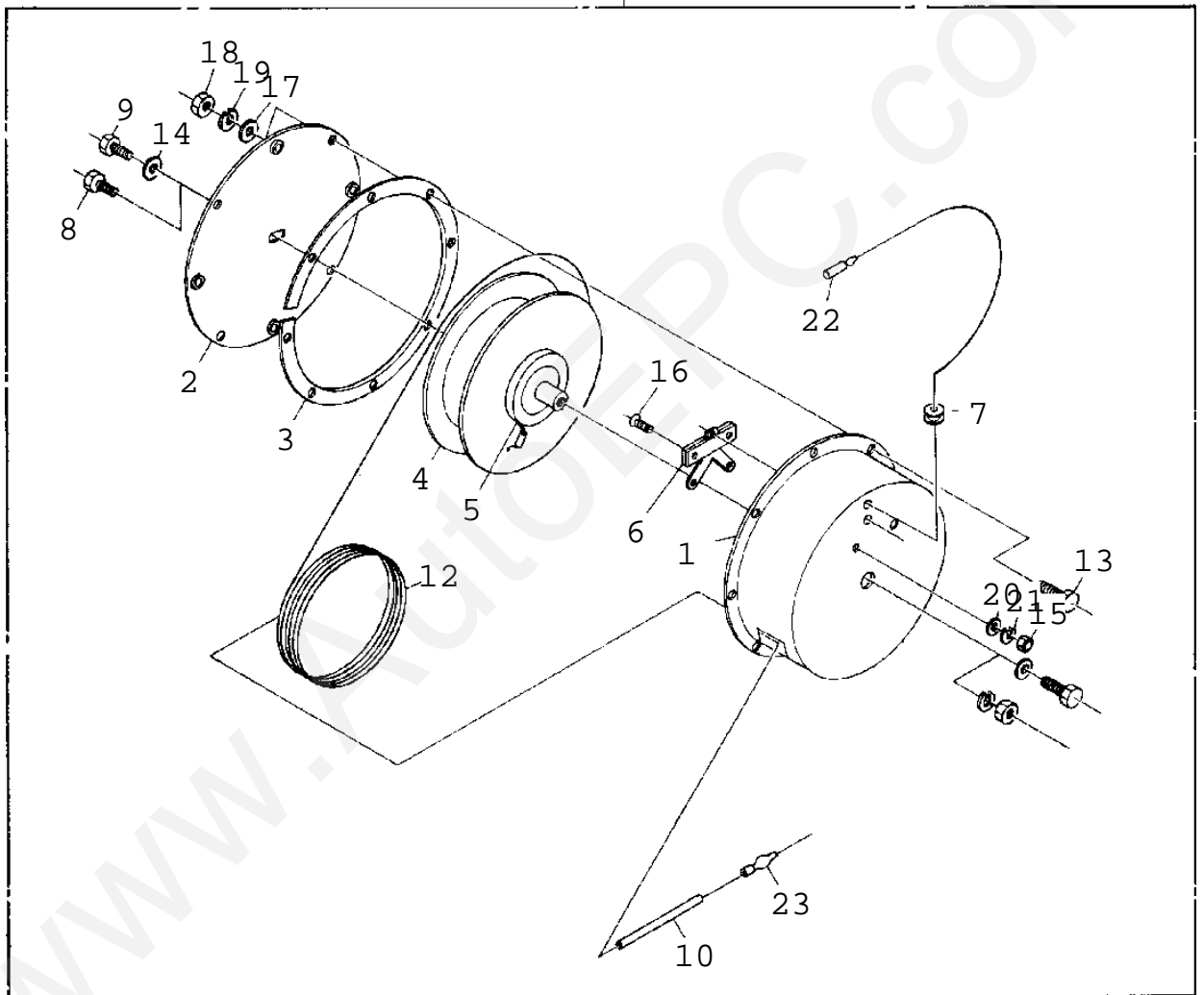
TM-ZF290 31113020030 BOOM/4 SECT.

Pos No.	Parts No	Parts Name	Qty	Unit	Technical Data	Serial No (Start)
1	90172108014	BOLT,HEXAGON SOCKET	4		M8X14	
3	91001203500	O-RING	1		1A G35	
8	91002801600	O-RING	1		1B P16	
13	91001101200	O-RING	2		1A P12	
14	91002801800	O-RING	1		1B P18	
30	36604280000	VALVE ,COUNTERBALANCE	1			

www.AutoEPC.com

TM-ZF290 31113020030 BOOM/4 SECT.
PN1350003-00 REEL, CORD

30

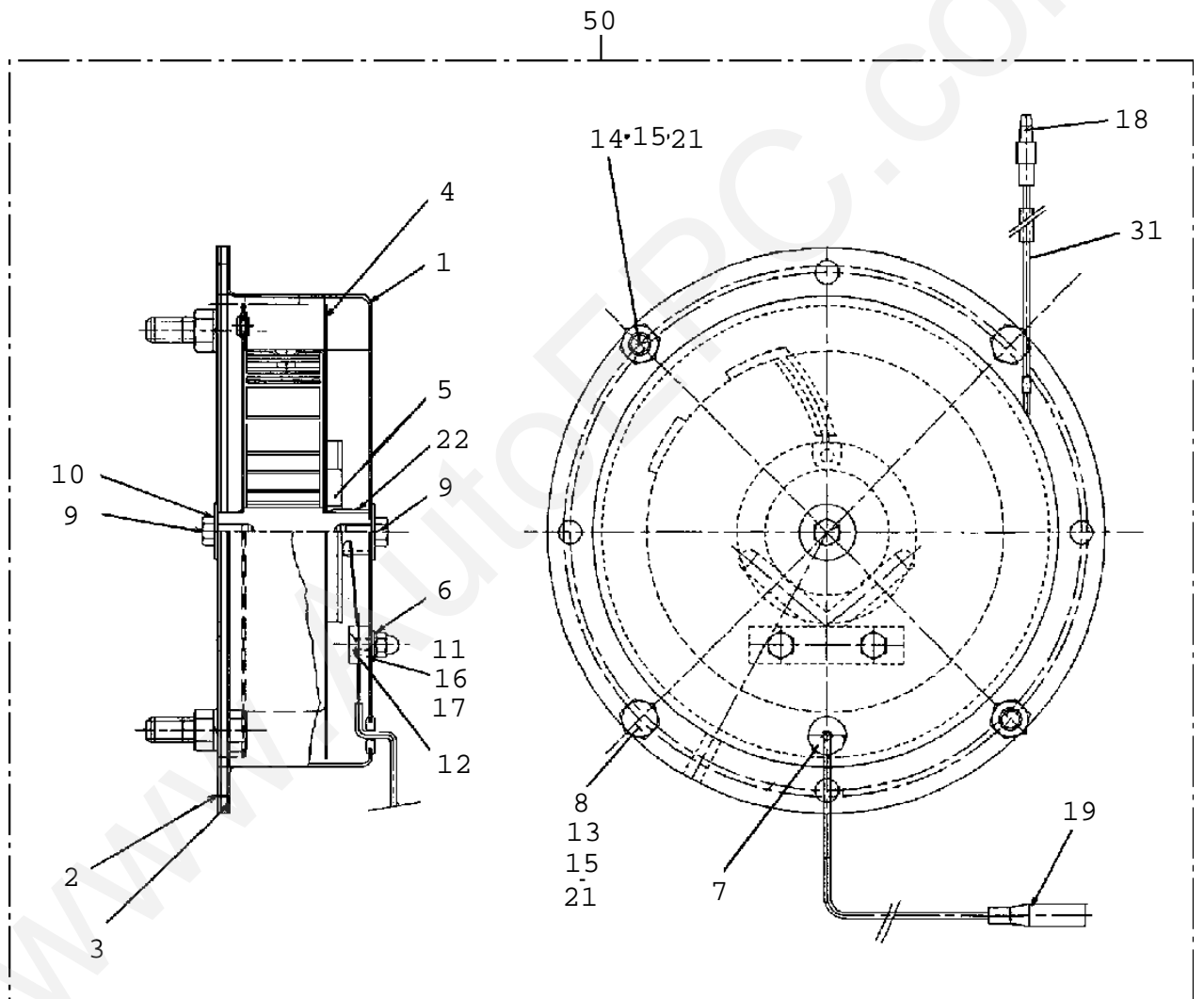


TM-ZF290 31113020030 BOOM/4 SECT.

Pos No.	Parts No	Parts Name	Qty	Unit	Technical Data	Serial No (Start)	Serial No (End)
1	31370005010	CASE	1				05178
	36160615010	CASE	1			051784	
2	31370005020	PLATE (BASE)	1				
3	31370005030	PACKING	1				
4	36160335010	SPRING ASSY	1				
5	32360005050	RING,SLIP	1				
6	33371277520	CONTACTOR ASSY	1				
7	31370005070	GROMMET	1				
8	90101206012	BOLT	2		M6X12		
9	90101205008	BOLT	2		M5X8		
10	32360005230	TUBE,VINYL	1				
12	82100000080	CORD (1-LINE)	11	M			
13	90101206022	BOLT	2		M6X22		
14	31370005090	WASHER	2				05178
	36160615020	WASHER	2			051784	
15	90240200400	NUT,CAP	2		M4		
16	80175104012	SCREW,MACHINE	2		M4X12		
17	90303070601	WASHER,PLAIN	2		6		
18	90201200600	NUT	4		M6		
19	90302040601	WASHER,SPRING	4		6		
20	90303070401	WASHER,PLAIN	2		4		
21	90302040401	WASHER,SPRING	2		4		
22	82100000191	TERMINAL	1				
23	82100000192	TERMINAL	1				
30	36160330000	REEL,CORD	1				

www.AutoEPC.com

TM-ZF290 31113020030 BOOM/4 SECT.
PN1350041-00 REEL,CORD

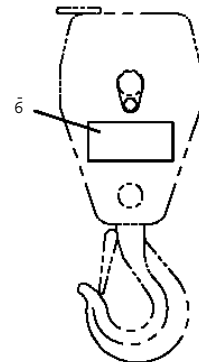
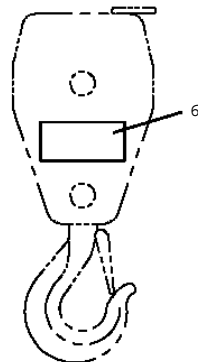
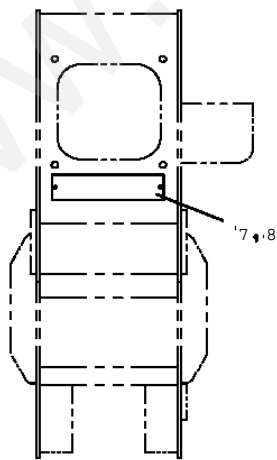
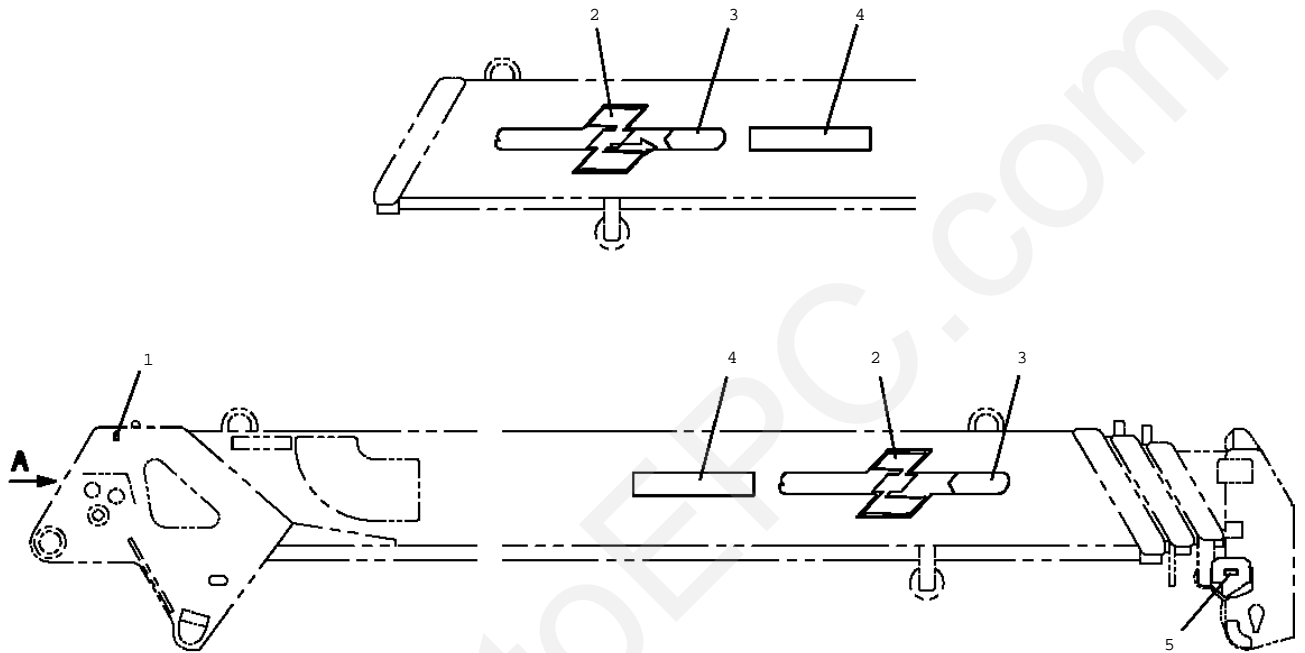


TM-ZF290 31113020030 BOOM/4 SECT.

Pos No.	Parts No	Parts Name	Qty	Unit	Technical Data	Serial No (Start)	Serial No (End)
1	31370005010	CASE	1				
2	31370005020	PLATE (BASE)	1				
3	31370005030	PACKING	1				
4	31370005041	SPRING ASSY	1				
5	32360005050	RING, SLIP	1				
6	33371277520	CONTACTOR ASSY	1				
7	31370005070	GROMMET	1				
8	90303070601	WASHER, PLAIN	2		6		
9	90101205008	BOLT	2		M5X8		
10	36160615020	WASHER	2				
11	90240200400	NUT, CAP	2		M4		
12	80175104012	SCREW, MACHINE	2		M4X12		
13	90101206022	BOLT	2		M6X22		
14	90101206012	BOLT	2		M6X12		
15	90201200600	NUT	4		M6		
16	90303070401	WASHER, PLAIN	2		4		
17	90302040401	WASHER, SPRING	2		4		
18	82100000192	TERMINAL	1				
19	82100000191	TERMINAL	1				
21	90302040601	WASHER, SPRING	4		6		
22	36160325010	COLLAR	1				
31	82100000080	CORD (1-LINE)	11	M			
50	36160330001	REEL, CORD	1				

www.AutoEPC.com

TM-ZF290 31113020030 BOOM/4 SECT.
PO1011891-00 PLATE ASSY,NAME (ZF290/JAPANESE)



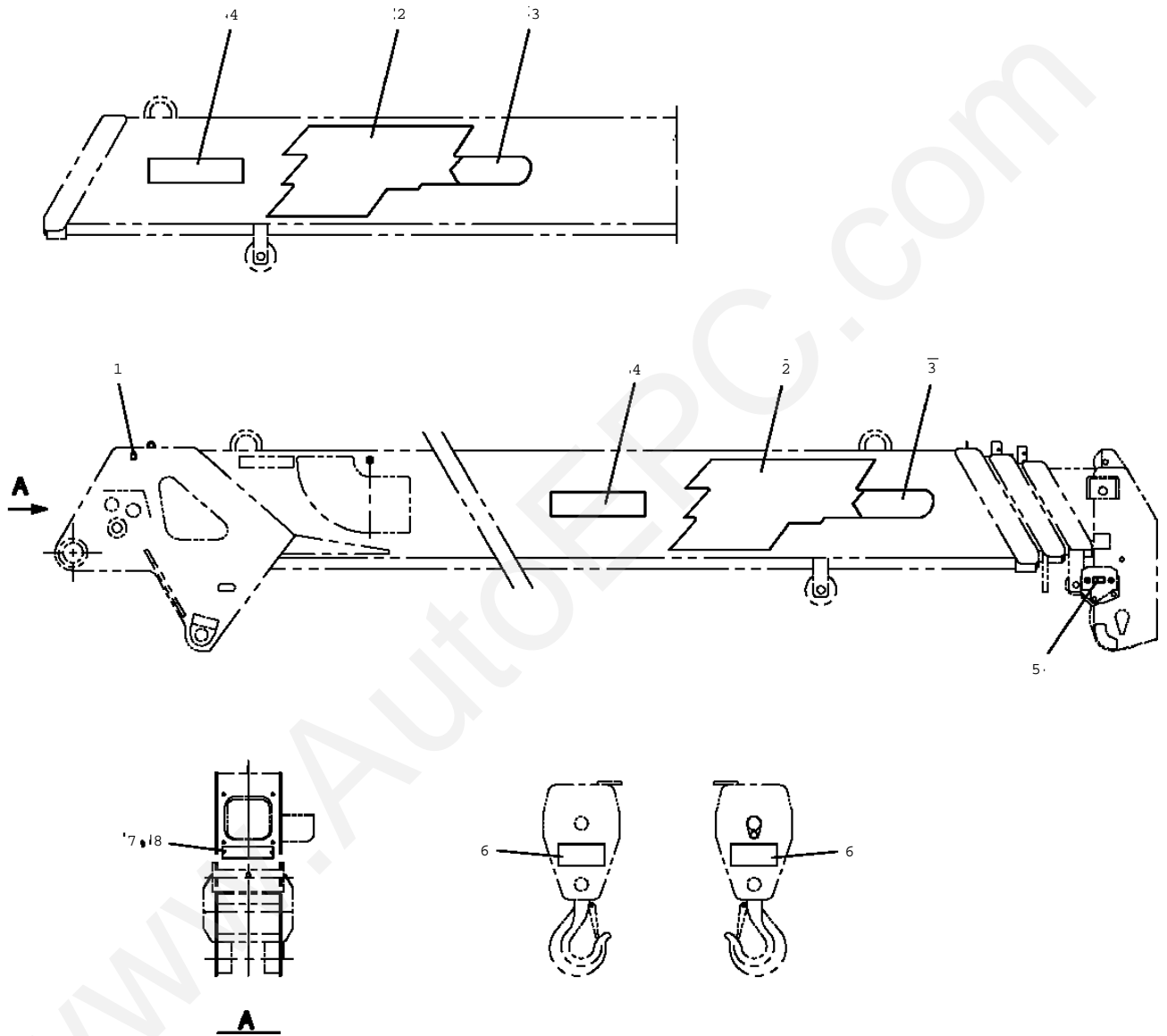
A

TM-ZF290 31113020030 BOOM/4 SECT.

Pos No.	Parts No	Parts Name	Qty	Unit	Technical Data	Serial No (Star
1	37002206490	PLATE,NAME (GREASE)	2			
2	37002214650	PLATE,NAME (SUPER Z FX)	2			
	37002215560	PLATE,NAME (SUPER Z FX)	2			049623
3	37002214690	PLATE,NAME (290)	2			
	37002215570	PLATE,NAME (290)	2			049623
4	37002214660	PLATE,NAME (TADANO)	2			
	37002215550	PLATE,NAME (TADANO)	2			049623
5	37002212770	PLATE,NAME (DC24V,0.1A)	1			
6	37002213630	PLATE,NAME (2.93TON)	2			
8	90451700100	SCREW,TAPPING	2		M4X6.4	

www.AutoEPC.com

TM-ZF290 31113020030 BOOM/4 SECT.
PO1011914-00 PLATE ASSY,NAME (ZF290/ENGLISH)

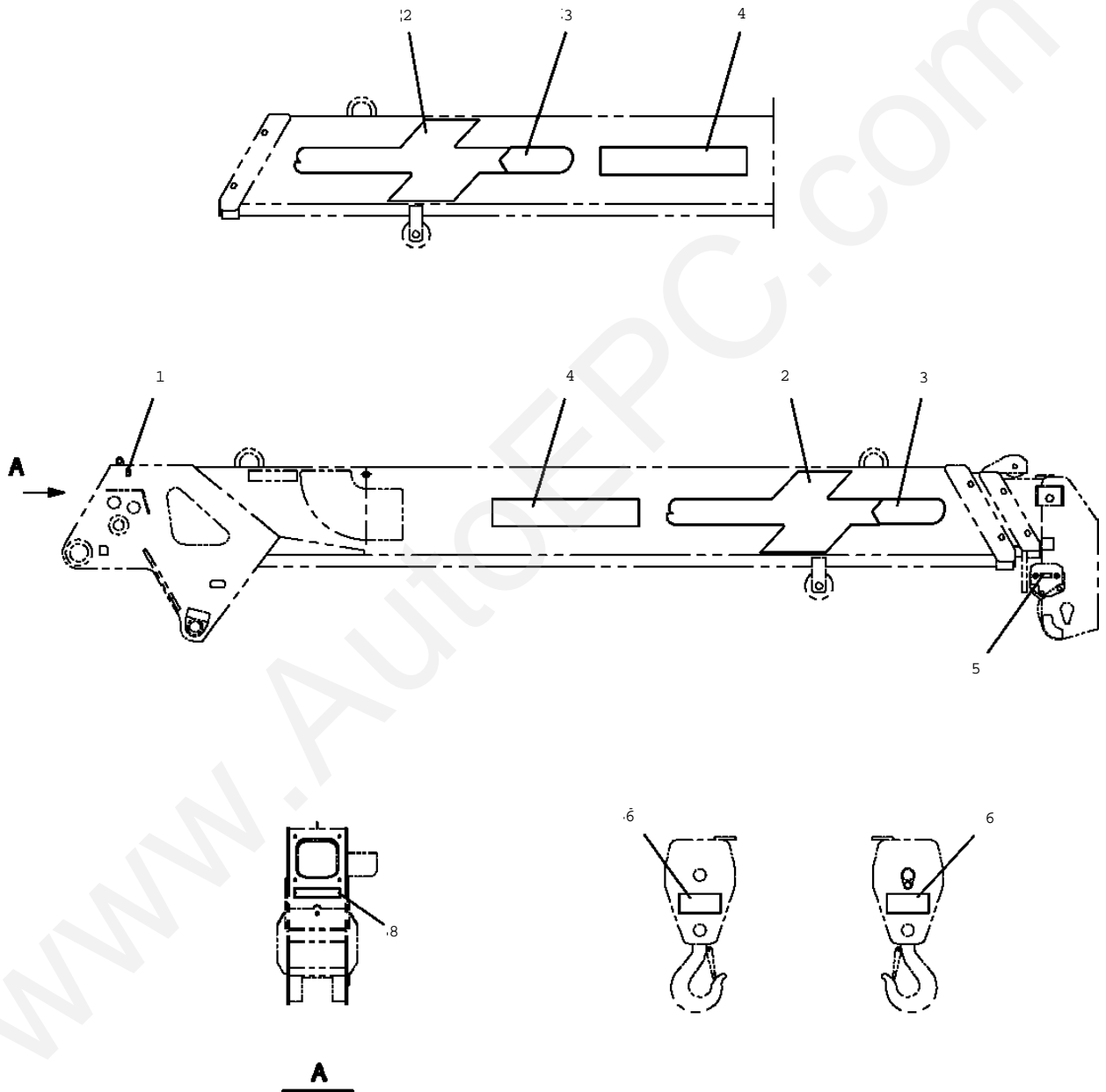


TM-ZF290 31113020030 BOOM/4 SECT.

Pos No.	Parts No	Parts Name	Qty	Unit	Technical Data	Serial No (Star
1	14137207000	PLATE,NAME (GREASE)	2			
2	37002216530	PLATE,NAME (ZF)	2			
3	37002215570	PLATE,NAME (290)	2			
4	37002209850	PLATE,NAME (TADANO)	2			
5	37002212770	PLATE,NAME (DC24V,0.1A)	1			
6	37002216050	PLATE,NAME (3000KG)	2			
8	90451700100	SCREW,TAPPING	2		M4X6.4	

www.AutoEPC.com

TM-ZF290 31113020030 BOOM/4 SECT.
PO1011998-01 PLATE ASSY,NAME (ZF300J)



TM-ZF290 31113020030 BOOM/4 SECT.

Pos No.	Parts No	Parts Name	Qty	Unit	Technical Data	Serial No (Star
1	37002206490	PLATE,NAME (GREASE)	2			
2	37002215560	PLATE,NAME (SUPER Z FX)	2			
3	37002215970	PLATE,NAME (300)	2			
4	37002215550	PLATE,NAME (TADANO)	2			
5	37002212770	PLATE,NAME (DC24V,0.1A)	1			
6	37002213630	PLATE,NAME (2.93TON)	2			
8	90451700100	SCREW,TAPPING	2		M4X6.4	

www.AutoEPC.com